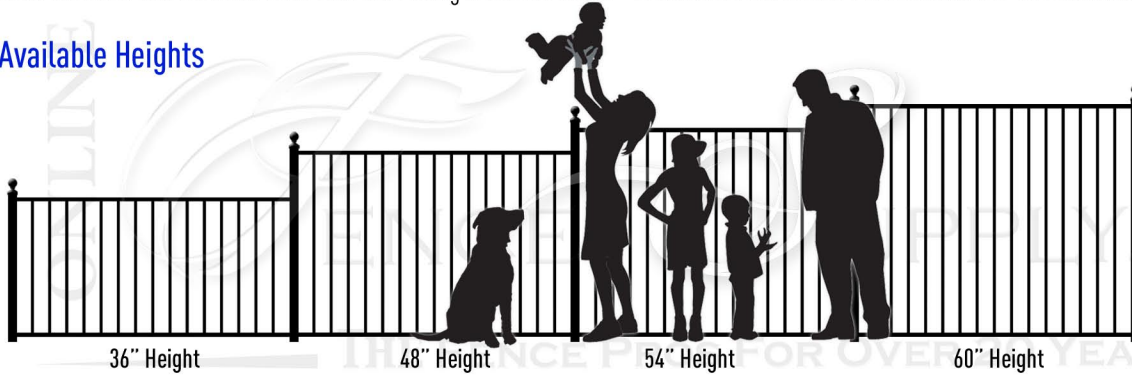


THE FENCE PROS FOR OVER 20 YEARS

## Style E Residential Aluminum Fencing - 2 Rail Smooth Top

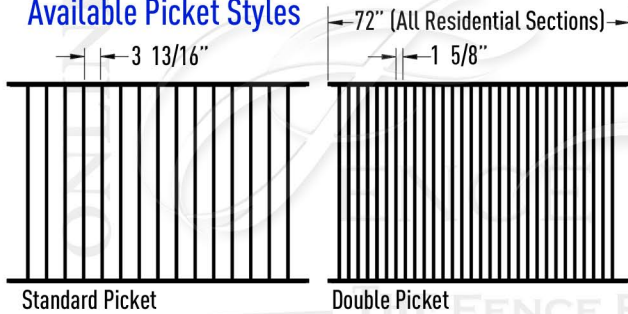
Material: 6063-T5 Aluminum • **72" Section Length** • Pickets: 5/8" sq. x .050" Wall • Rails: 1" sq. x .055" Wall • PPG® TGIC Polyester Powder Coating  
 Screws: Hardened 410 Stainless Steel With Cr6 Plating & Colored Heads • All Sections Are Offered Pre-Assembled Or Un-Assembled • **Posts Sold Separately**

### Available Heights



Style E Pool Code Approved Heights: Standard Picket Design - 48", 54" & 60" • Double Picket Design - 48", 54" & 60"  
 Please Note That 36" Height & Any Puppy Picket Design Fence Sections **Do Not Meet Pool Code**

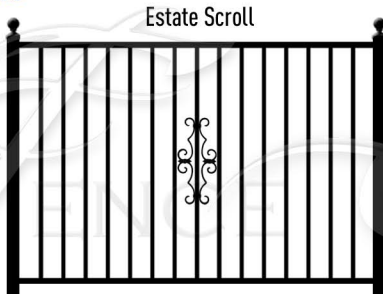
### Available Picket Styles



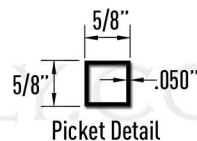
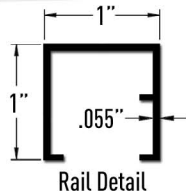
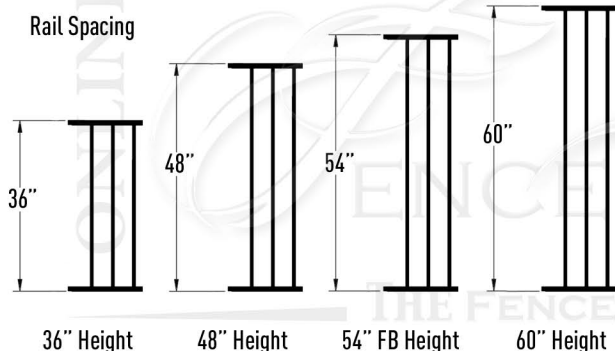
### Available Colors



### Optional Product Upgrades



### Additional Specifications



Sections can rack 30" to accommodate hilly terrain.